

# D5290-078/SA

## SIL3 Relay Out Module for 5 A NE/ND Loads

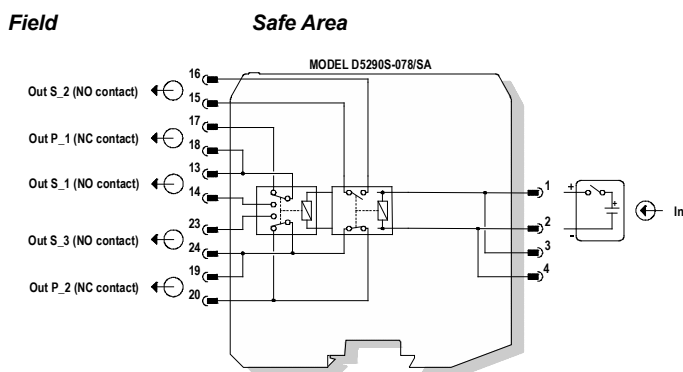
The D5290-078/SA is a relay module suitable for switching safety related circuits, up to SIL 3 level, for high risk industries. It provides isolation between input and output contacts. It makes available up to four NO contacts and two NC contacts, which can be externally connected for multiple Normally Energized (NE) or Normally De-energized (ND) loads, with single or both supply lines disconnection, and additional service loads.

### FEATURES

- SIL 3 / SC 3 for NE/ND loads with NE driver
- Up to 5 A functional / 8 A inrush current
- Load disconnection on both supply lines available
- Service contact available
- Multiple contacts (up to 3 NE loads)
- Input/Output isolation

### FUNCTION DIAGRAM

Additional installation diagrams may be found in Instruction Manual.



### TECHNICAL DATA

#### Input

24 Vdc nom (21.6 to 27.6 Vdc), reverse polarity protected.  
Relay coils are internally protected with suppressor diodes.

**Current consumption:** 40 mA @ 24 Vdc, typical.

**Power dissipation:** 1.0 W @ 24 Vdc, typical.

#### Output

2 voltage free SPDT (= NO contact + 1 or 2 parallel NC contacts) relay contacts identified with outputs: Out S\_1 & Out P\_1 (1NC) and Out S\_3 & Out P\_2 (2 NC); 1 voltage free SPST (NO) relay contacts identified with: Out S\_2. Terminals 13-14 (Out S\_1), 15-16 (Out S\_2) and 23-24 (Out S\_3) are: open when relay is de-energized, closed in energized relay condition. Terminals 17-18 (Out P\_1) and 19-20 (Out P\_2) are: closed when relay is de-energized, open in energized relay condition.

**Contact material:** Ag Alloy (Cd free).

**Contact rating:** 5 A 250 Vac 1250 VA, 5 A 250 Vdc 175 W (resistive load).

**Contact inrush current:** 8 A @ 30 Vdc, 250 Vac.

**DC and AC load breaking capacity:** refer to Instruction Manual.

**Mechanical / electrical life:** 10 \* 10<sup>6</sup> / 5 \* 10<sup>4</sup> operation, typical.

**Operate / release time:** 7 ms / 8 ms, typical.

#### Isolation

In/Outs 2.5 kV; Out S\_1 & Out P\_1 / Out S\_3 & Out P\_2, Out S\_2 500 V;  
Out S\_3 & Out P\_2 / Out S\_2 500 V.

#### Environmental conditions

**Operating temperature:** temperature limits -40 to +60 °C.

**Storage temperature:** temperature limits -45 to +80 °C.

#### Mounting

DIN-Rail 35 mm.

**Weight:** about 145 g.

**Connection:** by polarized plug-in disconnect screw terminal blocks to accommodate terminations up to 2.5 mm<sup>2</sup> (13 AWG).

**Dimensions:** Width 22.5 mm, Depth 123 mm, Height 120 mm.

### ORDERING INFORMATION

D5290S-078/SA: 1 channel

#### Accessories

DIN-Rail stopper MCHP196.